



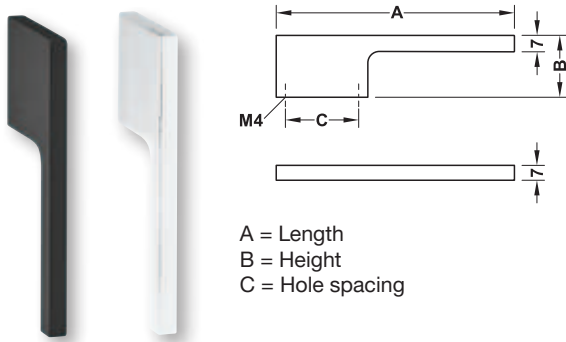
Finger pull handle



> Material: Aluminium

Colour/finish	Length x height mm	Hole spacing mm	Cat. No.
Black, Matt	105 x 30	32	155.01.870
Chrome plated, Polished	105 x 30	32	155.01.871

Packing: 1, 35 or 280 Piece



DGH-M 2021, HDE-en, 10/20; Dimensional data not binding. We reserve the right to alter specifications without notice.

! M4 threaded screws

► MB 1.479